

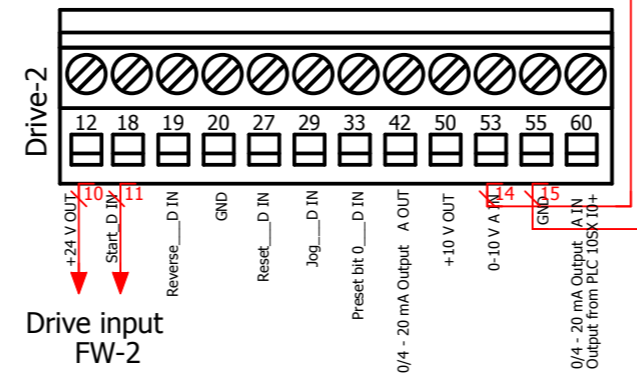
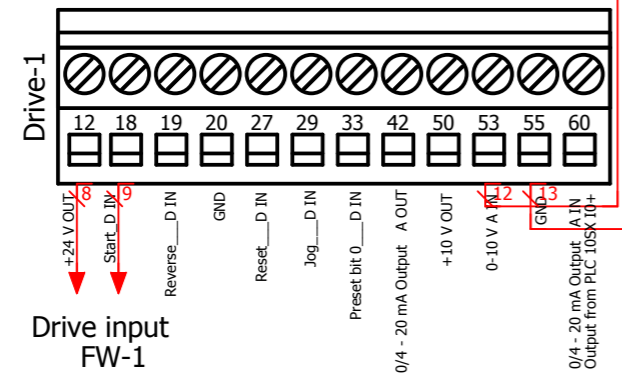
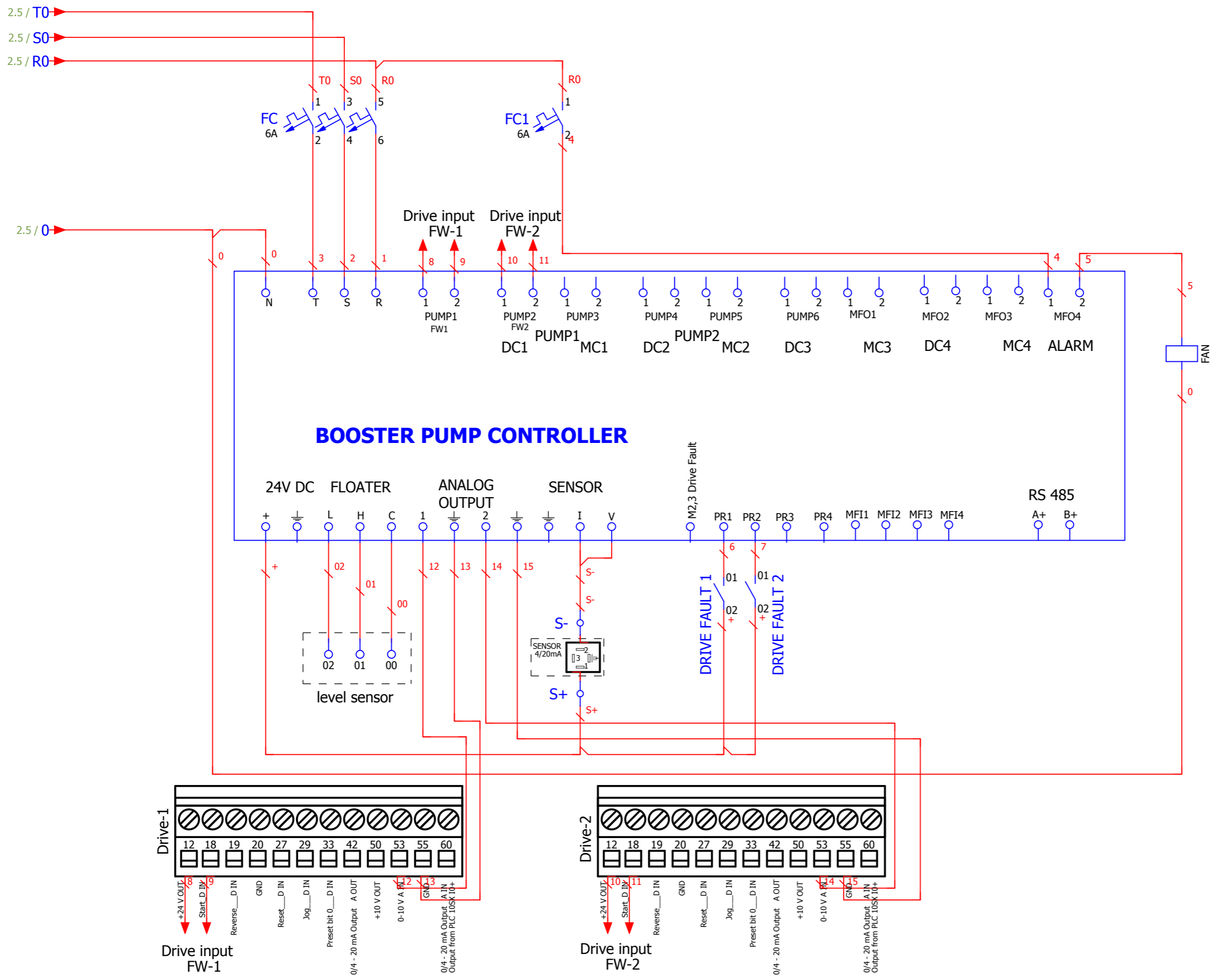
---

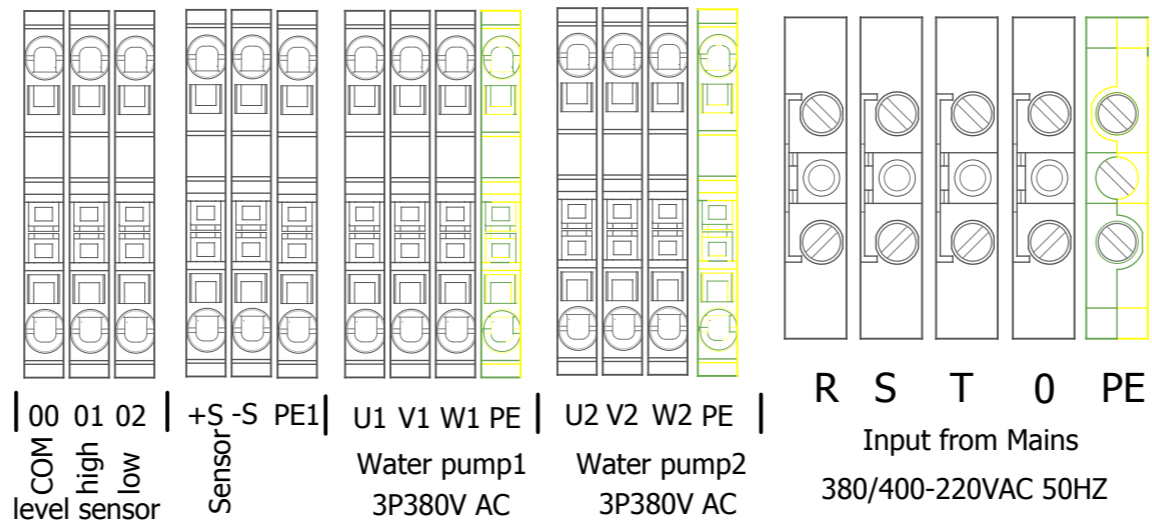
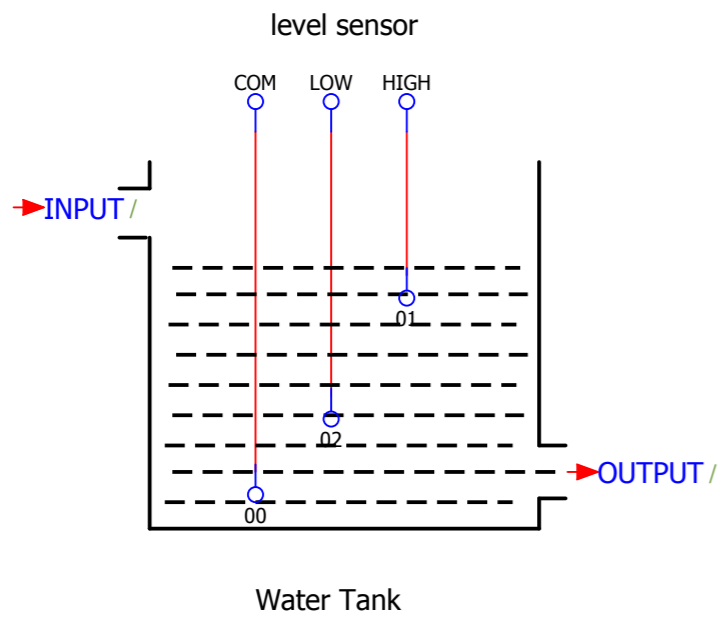


---

Customer	:	
Plant designation	:	
Drawing number	:	
Commission	:	
<hr/>		
Manufacturer (company)	:	
Path (x\eplan8\p)	:	
Project Serial Number:	:	
Project Name:	:	
Project Type:	:	2 Line, 2 Variable Line (Water Pump)
Mounting site	:	
Responsible for project	:	
Part feature	:	
<hr/>		
Changed on: 7/22/2017	from (Abbreviation):	Number of pages : 4







3

Date	7/22/2017			Serial Number:	=	
Ed.	ADMIN				+	
Appr						
Modification	Date	Name	Original	Replacement of	Replaced by	Page 4 / 4