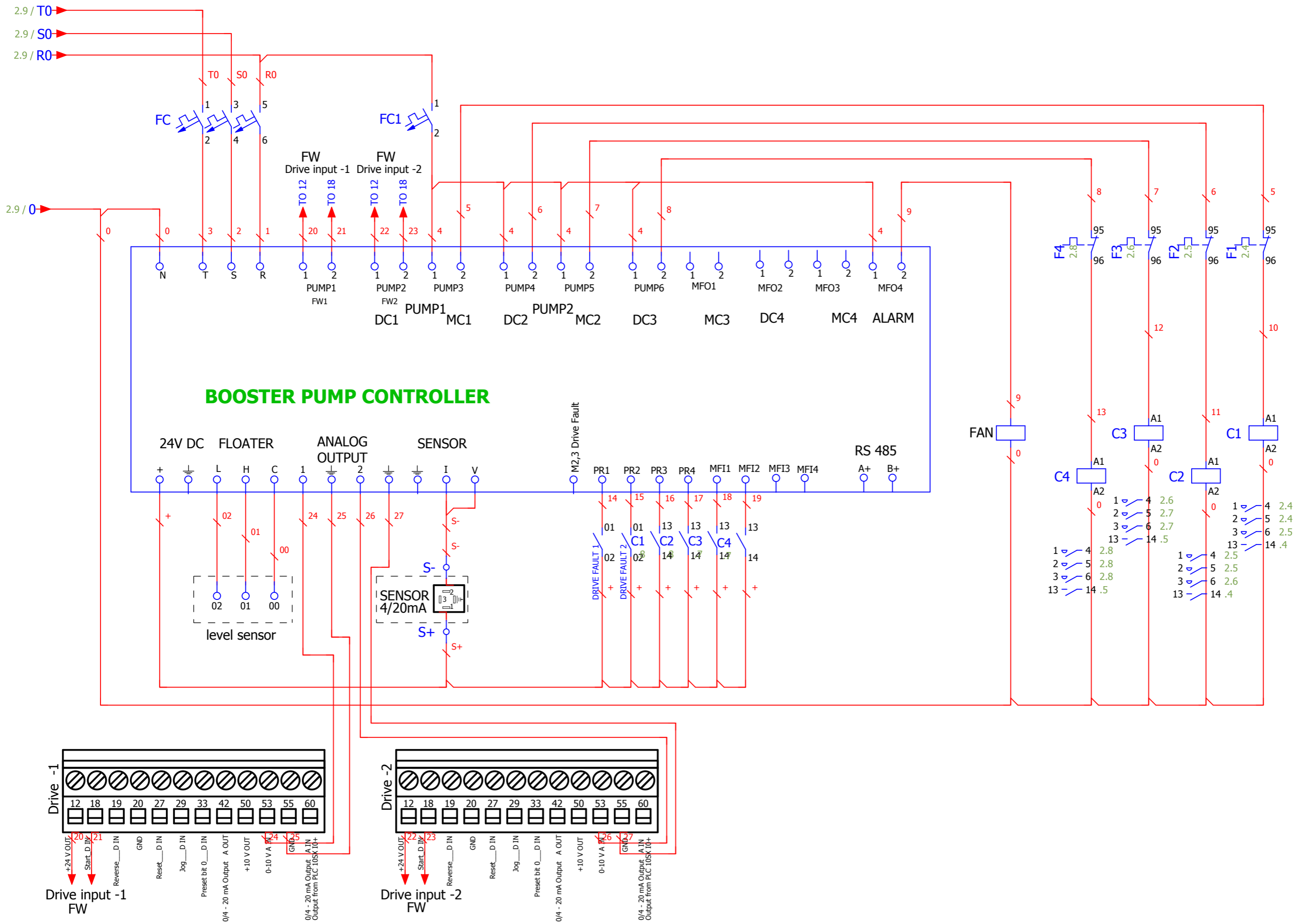


Date	6/11/2017	Replacement of	Replaced by	Serial Number:	=
Ed.	ADMIN				+
Appr					
Modification	Date	Name	Original		Page 2
					Page 2/4



			Date	6/24/2017		Serial Number:		=
			Ed.	ADMIN				+
			Appr					
Modification	Date	Name	Original	Replacement of	Replaced by			Page 3
							Page 3/4	

