

Customer :
Plant designation :
Drawing number :
Commission :

Manufacturer (company) :

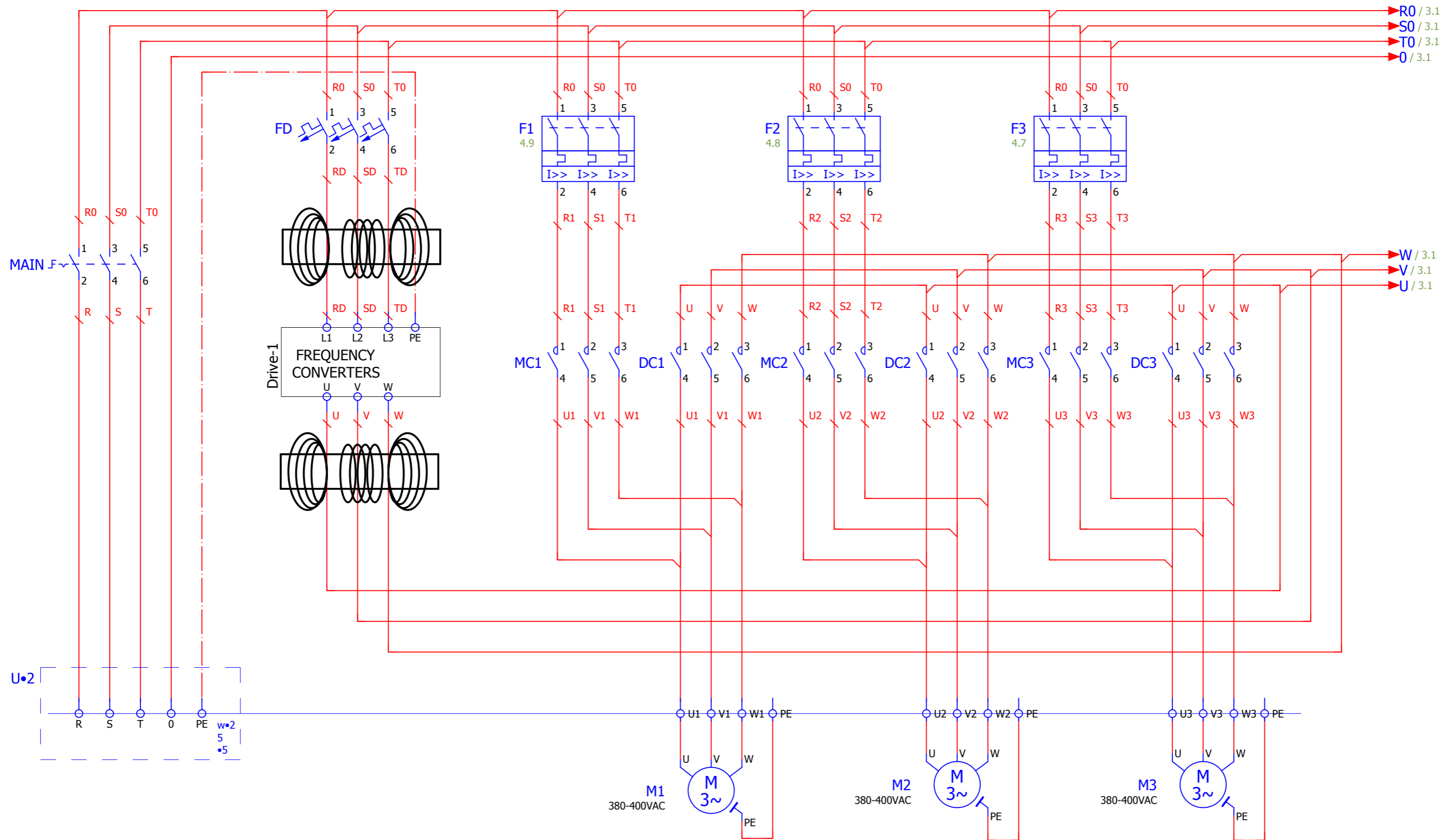
Path (x\eplan8\p) :
Project Serial Number: :
Project Name: :
Project Type: : 4 Line, 1 Variable Line (Water Pump)
Mounting site :
Responsible for project :
Part feature :

Changed on: 6/24/2017

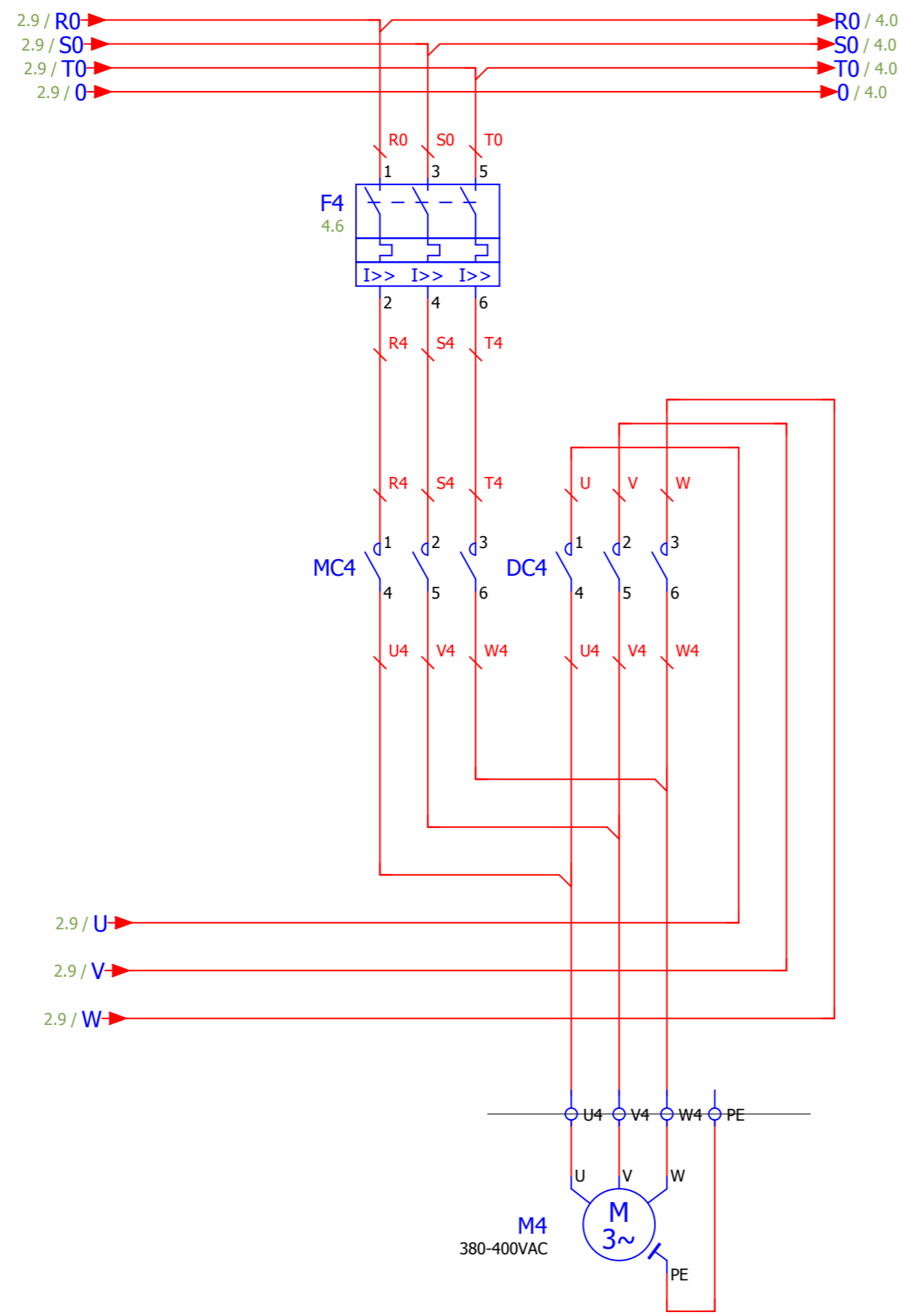
from (Abbreviation):

Number of pages : 5

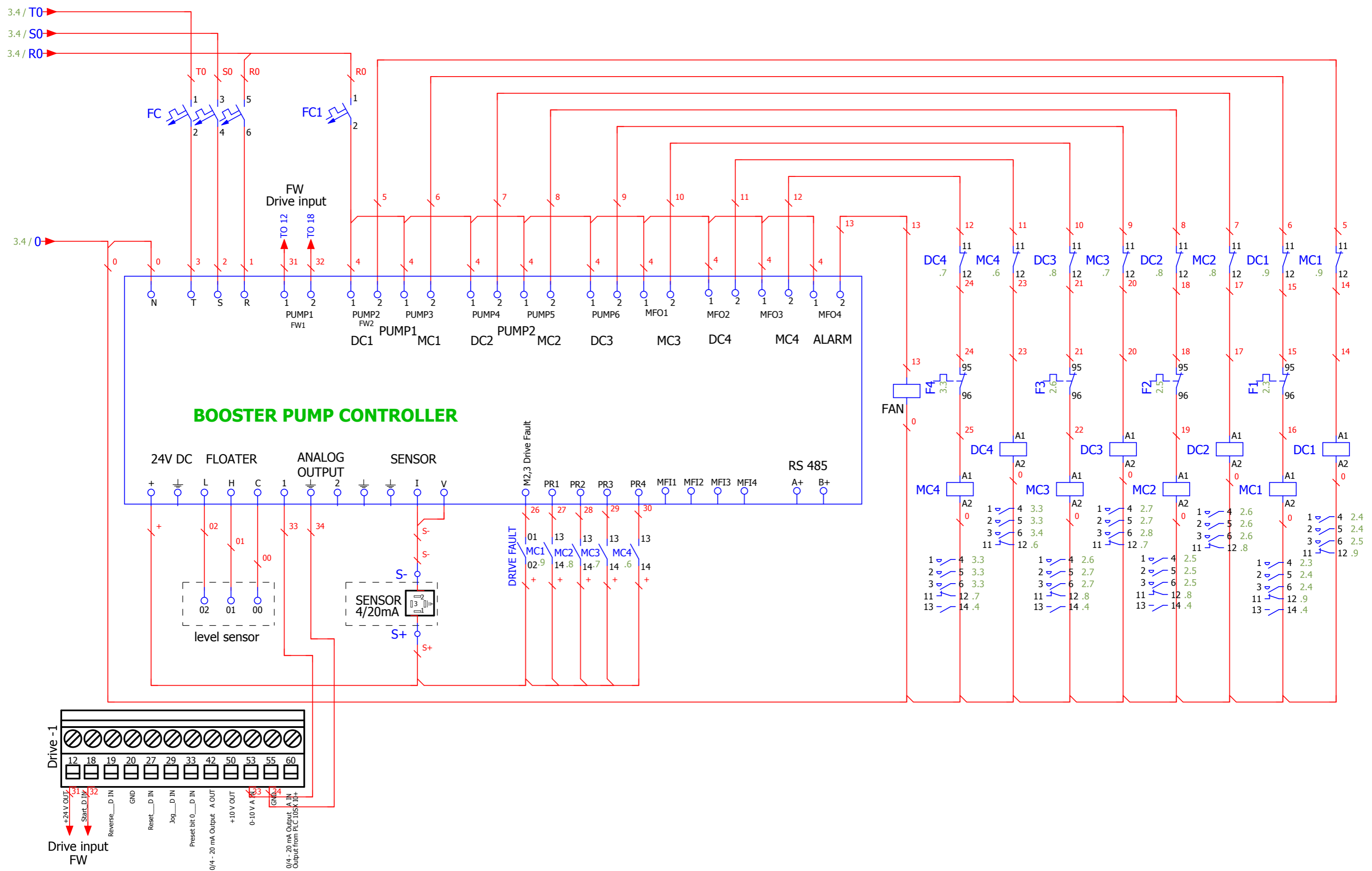




Date	6/11/2017			Serial Number:	=
Ed.	ADMIN				+
Appr					
Modification	Date	Name	Original	Replaced by	Replaced by
					Page 2
					Page



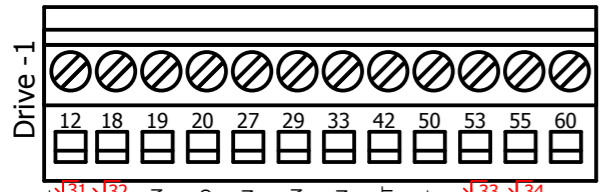
Date	6/11/2017			Serial Number:	=
Ed.	ADMIN				+
Appr					
Modification	Date	Name	Original	Replaced by	Replaced by
					Page 3
					Page 5



BOOSTER PUMP CONTROLLER

level sensor

SENSOR
4/20mA



Drive input
FW

Date 6/24/2017

Ed. ADMIN

Appr

Modification	Date	Name	Original	Replaced by	Replaced by

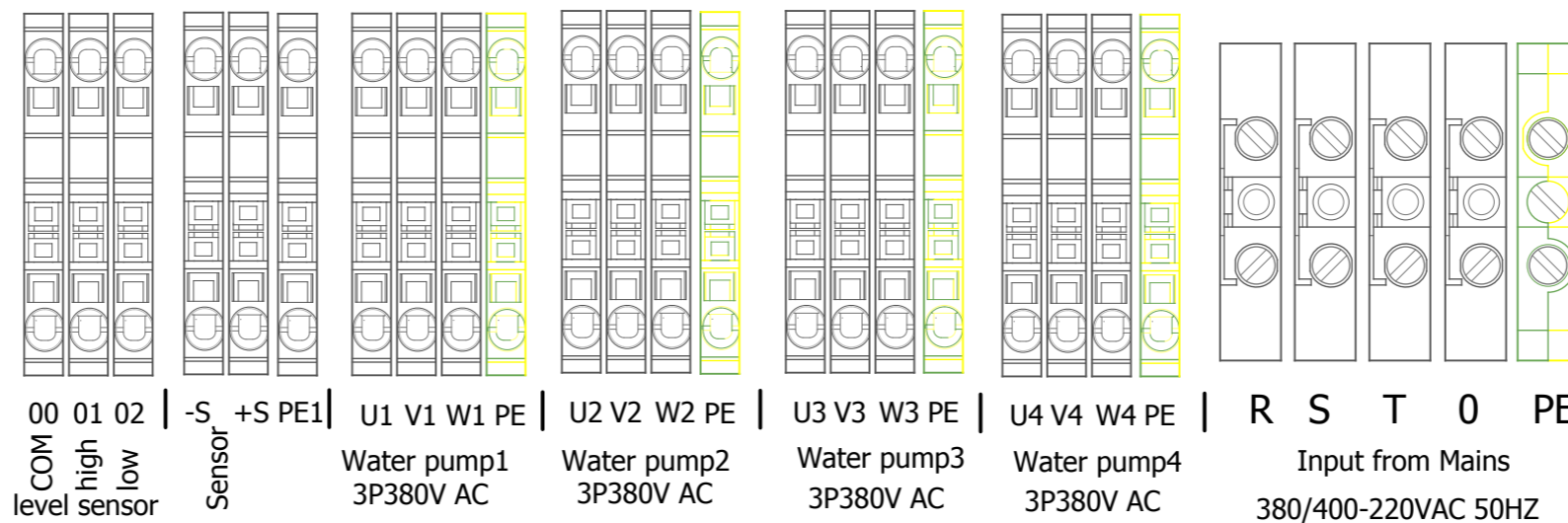
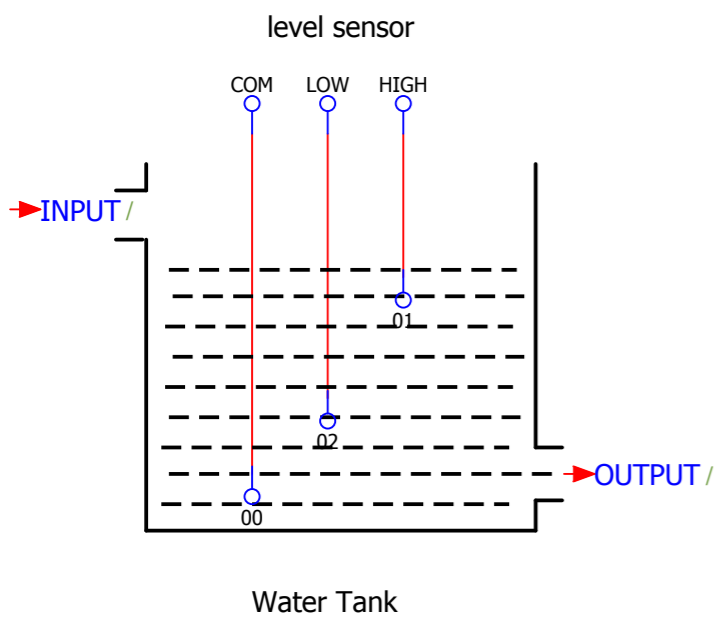
Serial Number:

=

+

Page 4

Page



			Date	6/11/2017						Serial Number:	=
			Ed.	ADMIN							+
			Appr								Page
Modification	Date	Name	Original		Replaced by	Replaced by				Page	5